

**Roll No.**

--	--	--	--	--	--	--	--	--	--	--	--	--	--	--

**Serial No. of Q. C. A. B.**

ಒಟ್ಟು ಪ್ರಶ್ನೆಗಳ ಸಂಖ್ಯೆ : 5 ]  
Total No. of Questions : 5 ]

[ ಒಟ್ಟು ಮುದ್ರಿತ ಪುಟಗಳ ಸಂಖ್ಯೆ : 12  
[ Total No. of Printed Pages : 12

**ಸಂಕೇತ ಸಂಖ್ಯೆ : 72**
**ವಿಷಯ : ಇಂಜಿನಿಯರಿಂಗ್ ಡ್ರಾಯಿಂಗ್**
**Code No. : 72**
**Subject : ENGINEERING DRAWING**

ದಿನಾಂಕ : 06. 04. 2013]

[ Date : 06. 04. 2013

ಸಮಯ : ಮಧ್ಯಾಹ್ನ-2-00 ರಿಂದ 5-15 ರವರೆಗೆ ]

[ Time : 2-00 P.M. to 5-15 P.M.

ಪರಮಾವಧಿ ಅಂಕಗಳು : 50 ]

[ Max. Marks : 50

**FOR OFFICE USE ONLY**

Q. No.	Marks	Q. No.	Marks	Q. No.	Marks	Q. No.	Marks	Q. No.	Marks
1.		×		×		×		×	
2.		×		×		×		×	
3.		×		×		×		×	
4.		×		×		×		×	
5.		×		×		×		×	
×		×		×		×		×	
×		×		×		×		×	
×		×		×		×		×	
×		×		×		×		×	
×		×		×		×		×	
×		×		×		×		×	
×		×		×		×		×	
×		×		×		×		×	
×		×		×		×		×	
<b>Total Marks</b>									
<b>Total Marks in words</b>									<b>Grand Total</b>
1. ✓									
2. ✓					✓				✓
Signature of Evaluators			Registration No.		Signature of the Deputy Chief			Signature of the Room Inviqilator	

[ Turn over

*General Instructions :*

- i) The Question-cum-Answer Booklet consists of 5 objective and subjective types of questions.
- ii) Space has been provided against each objective type question. You have to choose the correct choice and write the complete answer in the space provided.
- iii) For subjective type questions enough space for each question has been provided. You have to answer the questions in the space.
- iv) Follow the instructions given against both the objective and subjective types of questions.
- v) Candidate should not write the answer with pencil. Answers written in pencil will not be evaluated ( Except Graphs, Diagrams & Maps ).
- vi) In case of Multiple Choice, Fill in the blanks and Matching questions, scratching / rewriting / marking is not permitted, thereby rendering to disqualification for evaluation.
- vii) For reading the questions 15 minutes of extra time has been provided.

*Instructions :*

- i) Answer *all* the questions.
- ii) Retain the constructional details.
- iii) All dimensions are in mm.
- iv) Use first angle projection only.
- v) Missing dimensions may be assumed.
- vi) All drawings should be drawn in drawing sheet only.

1. a) Fill in the blanks with the correct figure/word(s) by selecting from the choices given in the brackets :  $5 \times 1 = 5$

i) ..... threads are generally used for transmission of power.

( *Acme, Square, Knuckle* )

Ans : \_\_\_\_\_

ii) The projection on horizontal plane is .....

( *side view, front view, top view* )

Ans : \_\_\_\_\_

\_\_\_\_\_

iii) Dimension lines are continuous ..... lines.

( *thick, thin, chain thin* )

Ans : \_\_\_\_\_

iv) The shape of reflectors designed to focus light to a point will be .....

( *parabolic, elliptical, hyperbolic* )

Ans : \_\_\_\_\_

v) ..... scales are used to show three consecutive units of dimensions.

( *Plain, Comparative, Diagonal* )

Ans : \_\_\_\_\_

b) Match the following :

5 × 1 = 5

**Group A**

**Group B**

i) Crest

a) eccentricity is equal to one

ii) Root

b) surface between crest and root

iii) Flank

c) innermost part of a thread

iv) Parabola

d) eccentricity is more than one

v) Ellipse

e) outermost part of a thread

f) eccentricity is less than one.

Ans :

i) \_\_\_\_\_

ii) \_\_\_\_\_

iii) \_\_\_\_\_

iv) \_\_\_\_\_

v) \_\_\_\_\_

[ Turn over

2. a) Print the given word in single stroke vertical capital letters of height 18 mm with ratio 6 : 5. 5

'FESTIVAL'

[www.careerindia.com](http://www.careerindia.com)

- b) Construct a parabola in a rectangle of sides 100 mm  $\times$  45 mm.

[www.careerindia.com](http://www.careerindia.com)

3. a) Draw a plain scale of 1 : 60 to show metres and decimetres and long enough to measure up to 6 metres and show the length of 3·7 metres on the scale. 5

[www.careerindia.com](http://www.careerindia.com)

- b) List minimum 10 drawing instruments and other drawing materials which every student must possess. 5

[www.careerindia.com](http://www.careerindia.com)

[ Turn over

4. A shot is discharged from the ground level at an inclination of  $55^\circ$  to the ground which is assumed to be horizontal. The shot returns to the ground at a point 75 metre distant from the point of discharge. Trace the path of the shot and name the curve. Scale 1 : 1000. 10

OR

The pictorial view of an object is shown in figure No. 1. Draw the following orthographic views and mark the dimensions : 10

- (i) Front view — Looking in the direction of arrow 'X'
- (ii) Top view — Looking in the direction of arrow 'Y'
- (iii) Side view — Looking in the direction of arrow 'Z'.

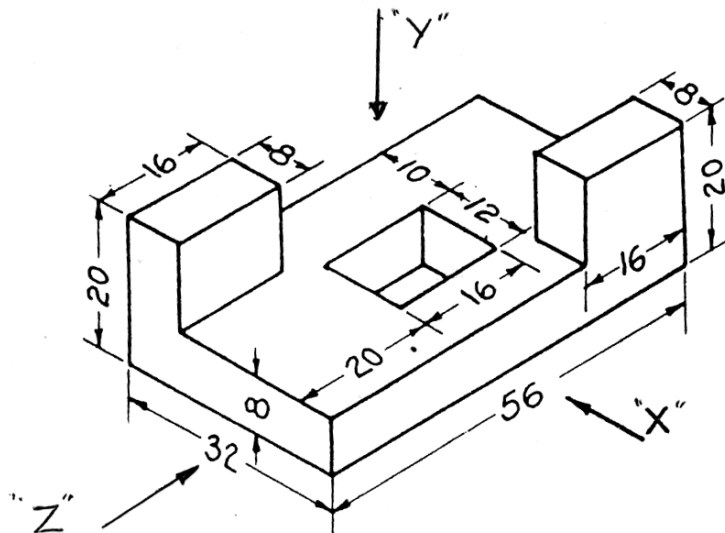


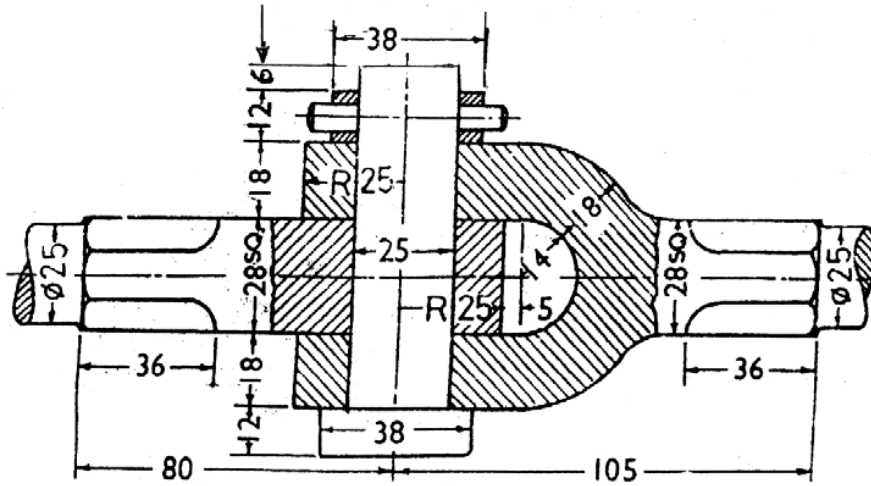
Figure No. 1



[www.careerindia.com](http://www.careerindia.com)

[ Turn over

5. Figure No. 2 shows the sectional elevation of a pin joint or knuckle joint. Draw the same in full size ( 1 : 1 size) 10



**PIN JOINT OR KNUCKLE JOINT**

**Figure No. 2**

www.careerindia.com

[www.careerindia.com](http://www.careerindia.com)

[ Turn over

[www.careerindia.com](http://www.careerindia.com)